

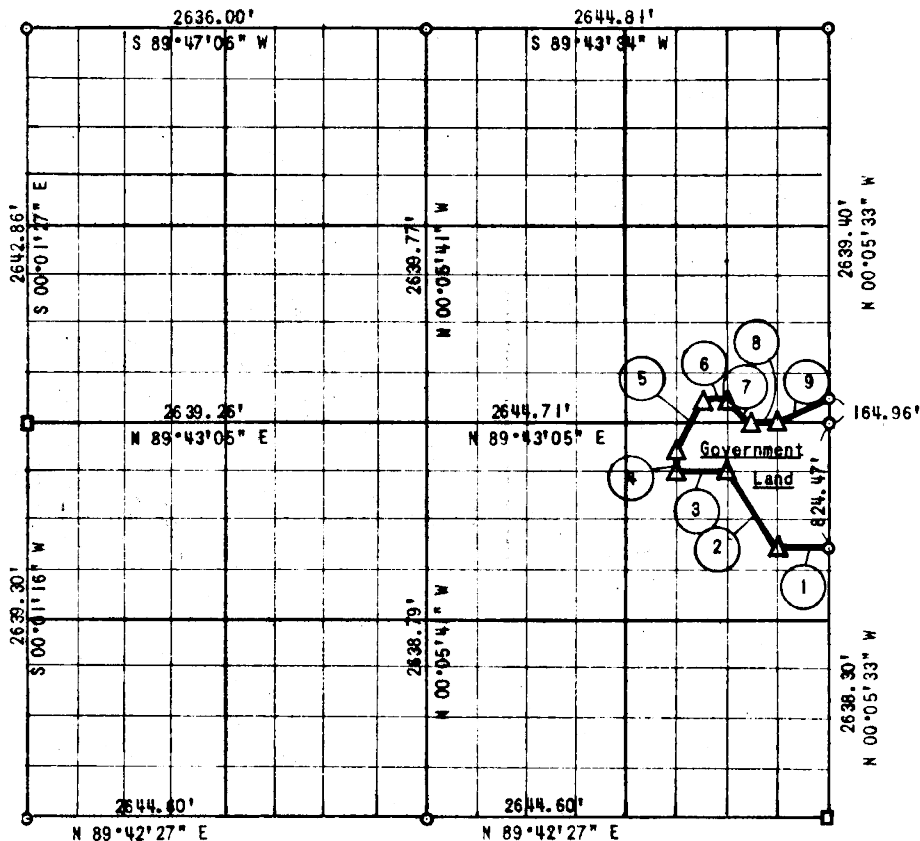
PARTIAL BOUNDARY SURVEY

EUFAULA LAKE

SECTION 18, T 6 N, R 16 E

PITTSBURG COUNTY

Performed Under Contract No. DACW 56-77-C-0097



Course No.	Distance	Bearing	Course No.	Distance	Bearing
1	330.58'	S 89°42'55" W			
2	594.07'	N 33°54'18" W			
3	330.71'	S 89°43'01" W			
4	164.98'	N 00°05'36" W			
5	369.46'	N 26°29'00" E			
6	165.29'	N 89°43'07" E			
7	233.15'	S 45°14'39" E			
8	165.29'	N 89°43'05" E			
9	369.95'	N 63°14'13" E			

CERTIFICATE OF SURVEY

Field Book No. E-1316

Date: Aug. 2, 1977

I hereby certify that the above plat is a true and correct representation of the survey made in Section 18, T 6 N, R 16 E, Pittsburg County, Oklahoma.

SULLIVAN & GILBERT, INC.  
Consulting Engineers  
Under the supervision of

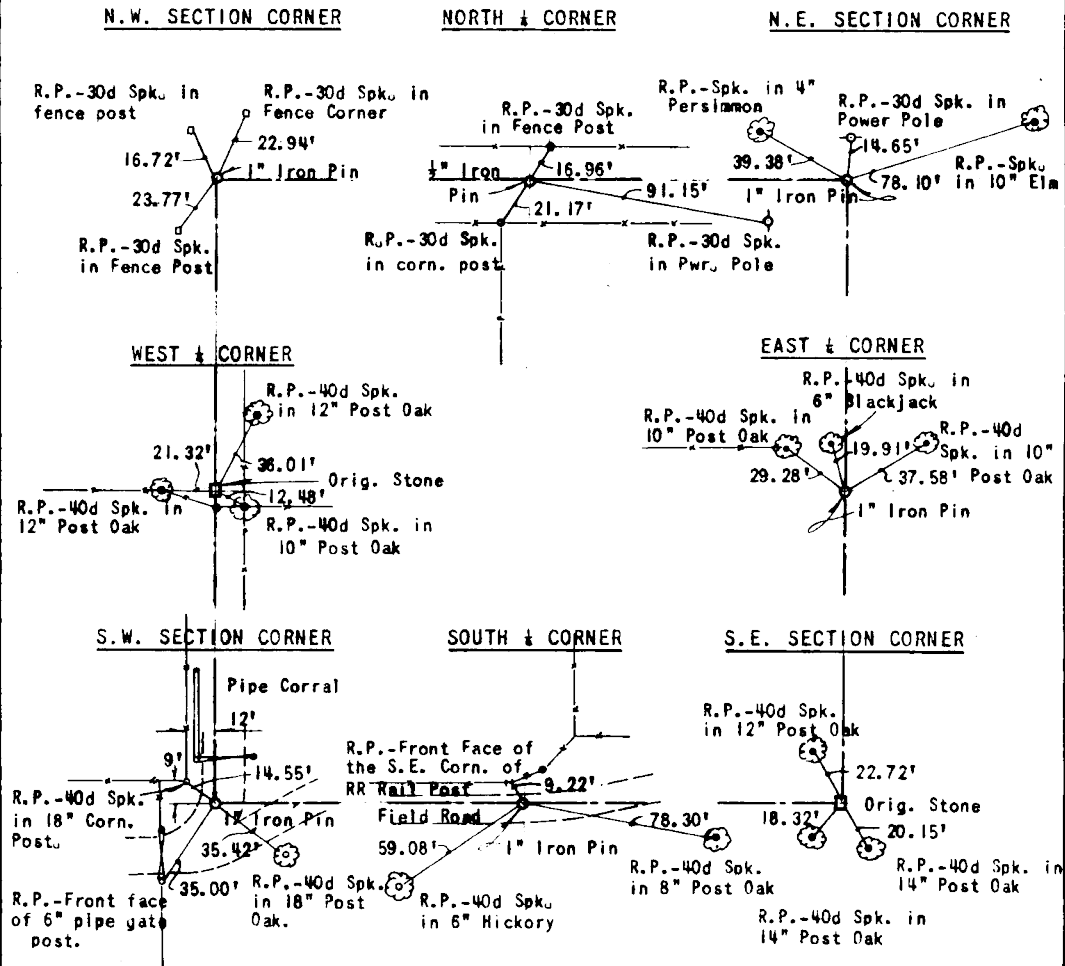
U.S. ARMY ENGINEER DISTRICT, TULSA  
CORPS OF ENGINEERS

LEGEND

- △ - C OF E MON.
- - IRON PIN
- - ORIG. STONE

*Sullivan & Gilbert*  
REGISTERED LAND SURVEYOR L. S. #122

EUFAULA LAKE  
SECTION AND QUARTER SECTION  
CORNER REFERENCES FOR  
SECTION 18, T 6 N, R 16 E, PITTSBURG COUNTY



Scale: 1"=50'  
Date: August 2, 1977  
Field Book No. E-1316  
Sullivan & Gilbert, Inc.